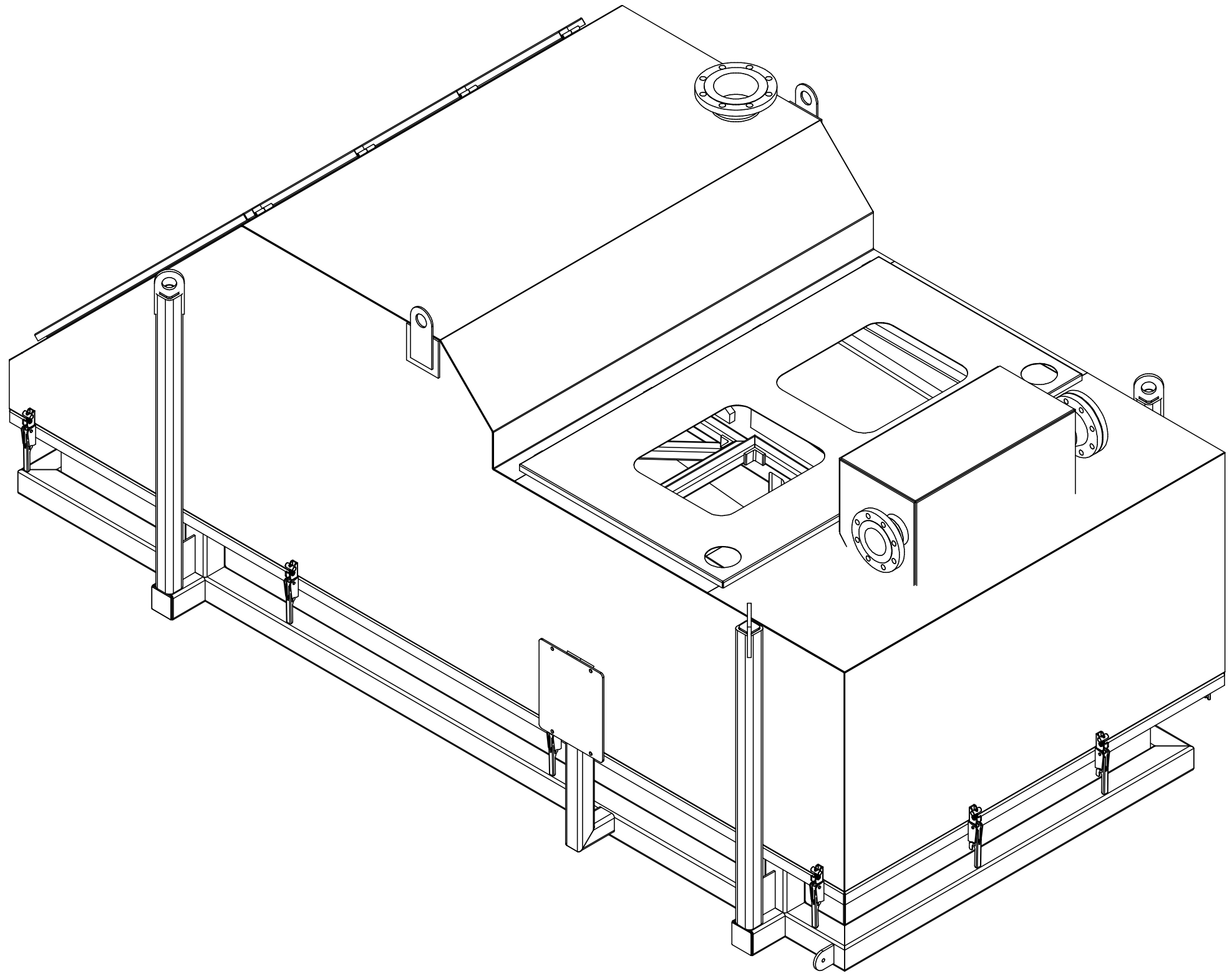


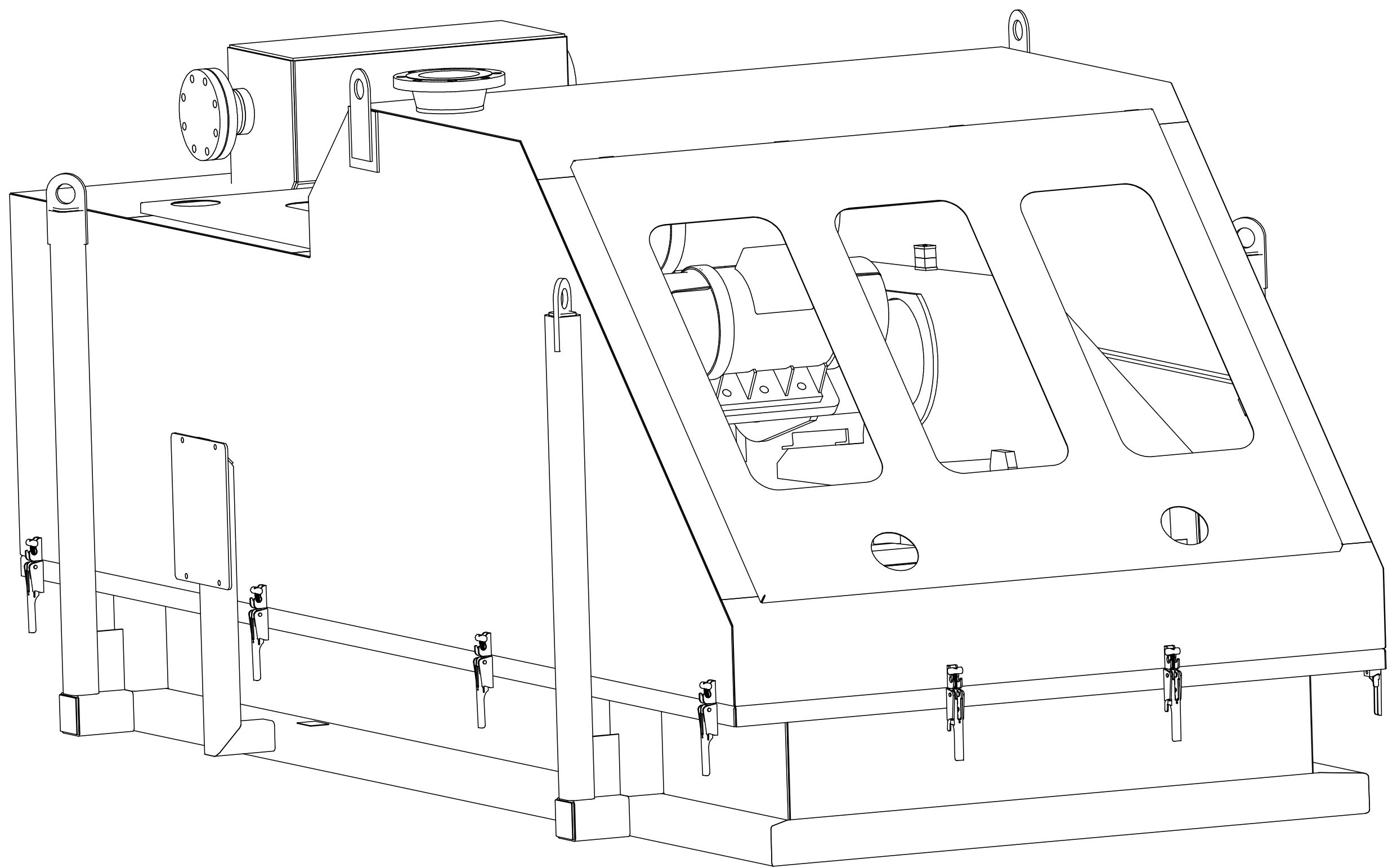
...Designs\DEL Equipment\Shakers\Shakers\Delineator\4 Panel\4 Panel Shaker Encloser

Plot Date: November 25, 2014 - 11:57:10 am



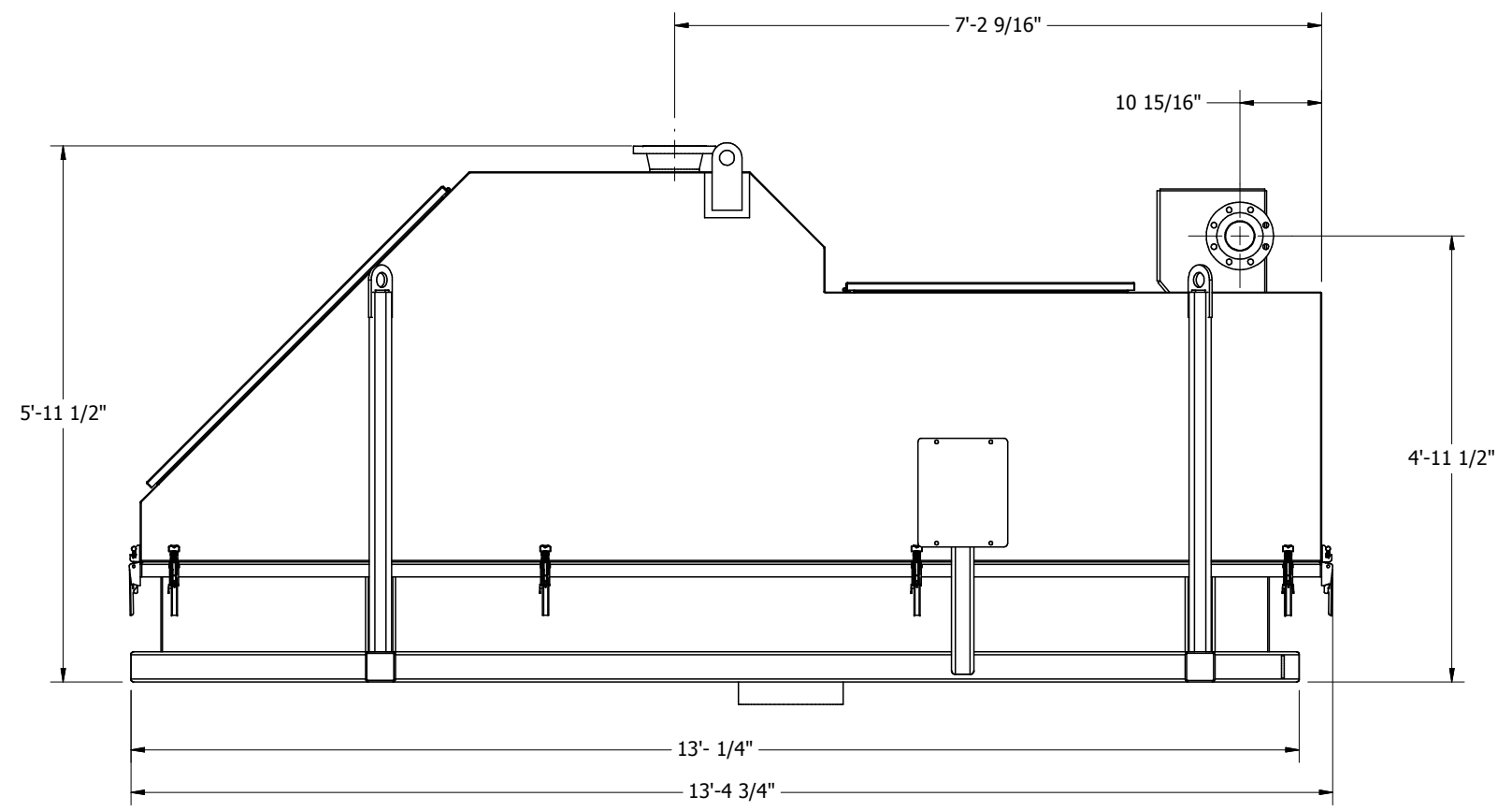
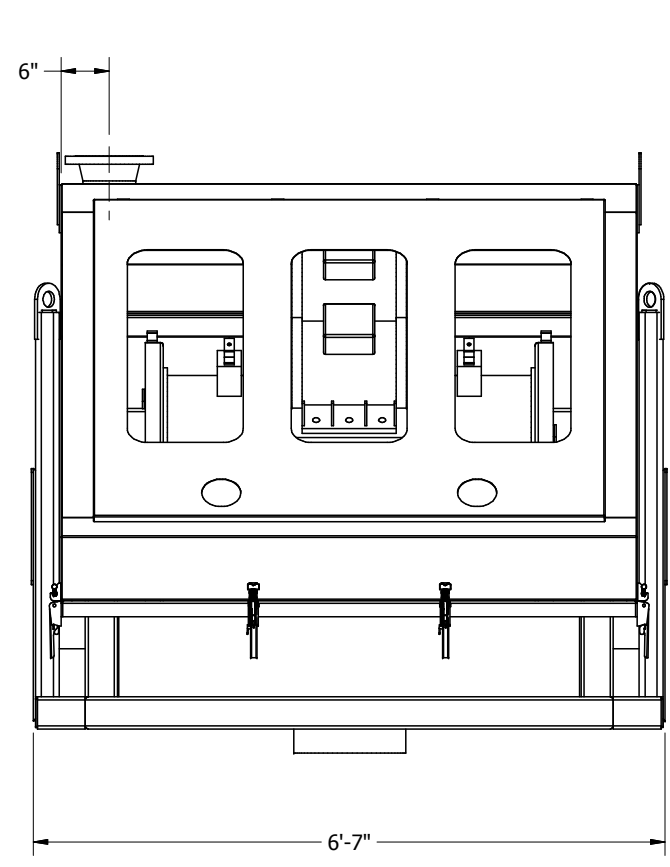
<p><b>PROPRIETARY</b> The information contained herein is the property of DEL Tank &amp; Filtration Systems and is given on the distinct understanding that it shall not be disclosed, loaned, copied, nor otherwise used by any third parties without express written consent of DEL Tank &amp; Filtration Systems.</p>	<p>UNLESS OTHERWISE SPECIFIED TOLERANCES</p> <p>.X            +/- .1 .XX          +/- .03 .XXX        +/- .005 FRACTIONAL +/- 1/16" ANGULAR    +/- 1/2" FINISH      +/- 125 μ in</p>	<p>DRAWN BY T Badaeux</p>	<p>DATE 11/25/2014</p>	<p>TITLE 4 Panel Enclosure Complete Assembly Layout 1</p>	
		<p>CHECKED</p>	<p>DATE</p>	<p>CLIENT</p>	
		<p>APPROVED</p>	<p>DATE</p>	<p>DRAWING NUMBER 4 Panel Enclosure Complete Assembly.idw</p>	
		<p>JOB</p>	<p>WEIGHT 5413.171 lbmass</p>	<p>SHEET 1 OF 3</p>	<p>REV</p>

...Designs\DEL Equipment\Shakers\Delineator\4 Panel\4 Panel Shaker Encloser



Plot Date: November 25, 2014 - 11:57:10 am

<p><b>PROPRIETARY</b> The information contained herein is the property of DEL Tank &amp; Filtration Systems and is given on the distinct understanding that it shall not be disclosed, loaned, copied, nor otherwise used by any third parties without express written consent of DEL Tank &amp; Filtration Systems.</p>	<p><b>UNLESS OTHERWISE SPECIFIED TOLERANCES</b></p> <table> <tr><td>.X</td><td>+/- .1</td></tr> <tr><td>.XX</td><td>+/- .03</td></tr> <tr><td>.XXX</td><td>+/- .005</td></tr> <tr><td>FRACTIONAL</td><td>+/- 1/16"</td></tr> <tr><td>ANGULAR</td><td>+/- 1/2°</td></tr> <tr><td>FINISH</td><td>+/- 125 μ in</td></tr> </table>	.X	+/- .1	.XX	+/- .03	.XXX	+/- .005	FRACTIONAL	+/- 1/16"	ANGULAR	+/- 1/2°	FINISH	+/- 125 μ in	<p>DRAWN BY T Badaux</p>	<p>DATE 11/25/2014</p>	<p>TITLE <b>4 Panel Enclosure Complete Assembly Layout 1</b></p>	
		.X	+/- .1														
		.XX	+/- .03														
		.XXX	+/- .005														
FRACTIONAL	+/- 1/16"																
ANGULAR	+/- 1/2°																
FINISH	+/- 125 μ in																
<p>CHECKED</p>	<p>DATE</p>	<p>CLIENT</p>															
<p>APPROVED</p>	<p>DATE</p>	<p>DRAWING NUMBER 4 Panel Enclosure Complete Assembly.idw</p>															
<p>JOB</p>	<p>WEIGHT 5413.171 lbmass</p>	<p>SHEET 2 OF 3</p>	<p>REV</p>														



<p><b>PROPRIETARY</b> The information contained herein is the property of DEL Tank &amp; Filtration Systems and is given on the distinct understanding that it shall not be disclosed, loaned, copied, nor otherwise used by any third parties without express written consent of DEL Tank &amp; Filtration Systems.</p>	<p>UNLESS OTHERWISE SPECIFIED TOLERANCES</p> <p>.X +/- .1 .XX +/- .03 .XXX +/- .005 FRACTIONAL +/- 1/16" ANGULAR +/- 1/2" FINISH +/- 125 μ in</p>	DRAWN BY T Badaux	DATE 11/25/2014	<p><b>4 Panel Enclosure Complete Assembly Layout 1</b></p>	
		CHECKED	DATE		CLIENT
		APPROVED	DATE		
		JOB			
	WEIGHT 5413.171 lbmass	DRAWING NUMBER 4 Panel Enclosure Complete Assembly.idw		SHEET 3 OF 3	
				REV	